

reka
LUX



iL series

Premium Street & Parking LED Light

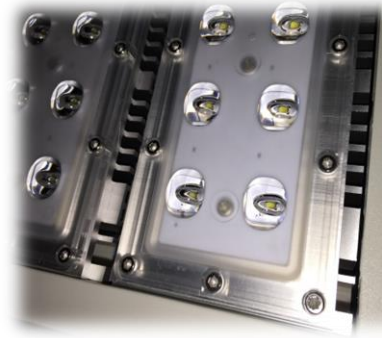


Superb Design

In combination of years experience in street and parking lot lighting, the new iL Series street & parking light was born. This new series is the result of a multi-disciplinary design study and it applies the latest technologies developed by R&D. The product's reliability and performance are the priority factors to consider and they are verified and tested by professional qualified and constantly updated personnel.

We follow the R&D step by step: from optical to mechanical and electronic design. And we monitor the development of LED technology constantly investing in it. The iL series street light equipped with our latest universal LED modules, delivering superb performance of LED Lighting and high reliability.

The universal LED module provides excellent flexibility of LED lights. It can switch between different models from AOK, such as high bay light, flood light, gas station light, etc. This saves the logistic and production cost for customers.



Reliable LED Lighting Technology

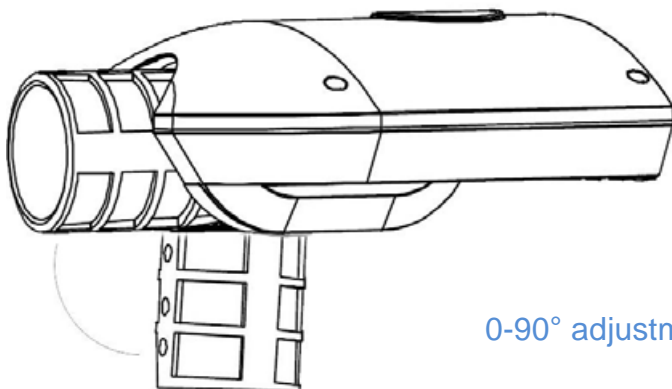
The special Reliable LED Lighting Technology provides significant advantages in terms of luminous efficiency, minimising losses refraction and reflection inside the optical system. This system ensures a lower density of dirt and maintaining the luminaire performance for a very long period.

Protect the LED Source

As the key to guarantee the total life span of the luminaire, the protection of the LED source is the core topic in the designing of luminaire. The carefully selected Mitsubishi PC cover and waterproof rubber ring ensured the total IP of the whole product. And it also protects the LED chip from the external agents and impact.

0-90° Bracket Adjustment

The angles of the bracket of iL street light can be adjusted from 0 to 90 degrees to fit with different styles of poles.



0-90° adjustment

Temperature Control

iL street light is designed with superb heat radiation technique. The heat and air can go through the whole luminaire via the gaps between the modules. This product also has a self-clean ability. When the rain came, the fixture will be washed and the dirt automatically goes out.

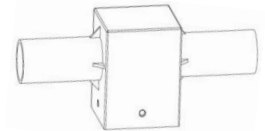
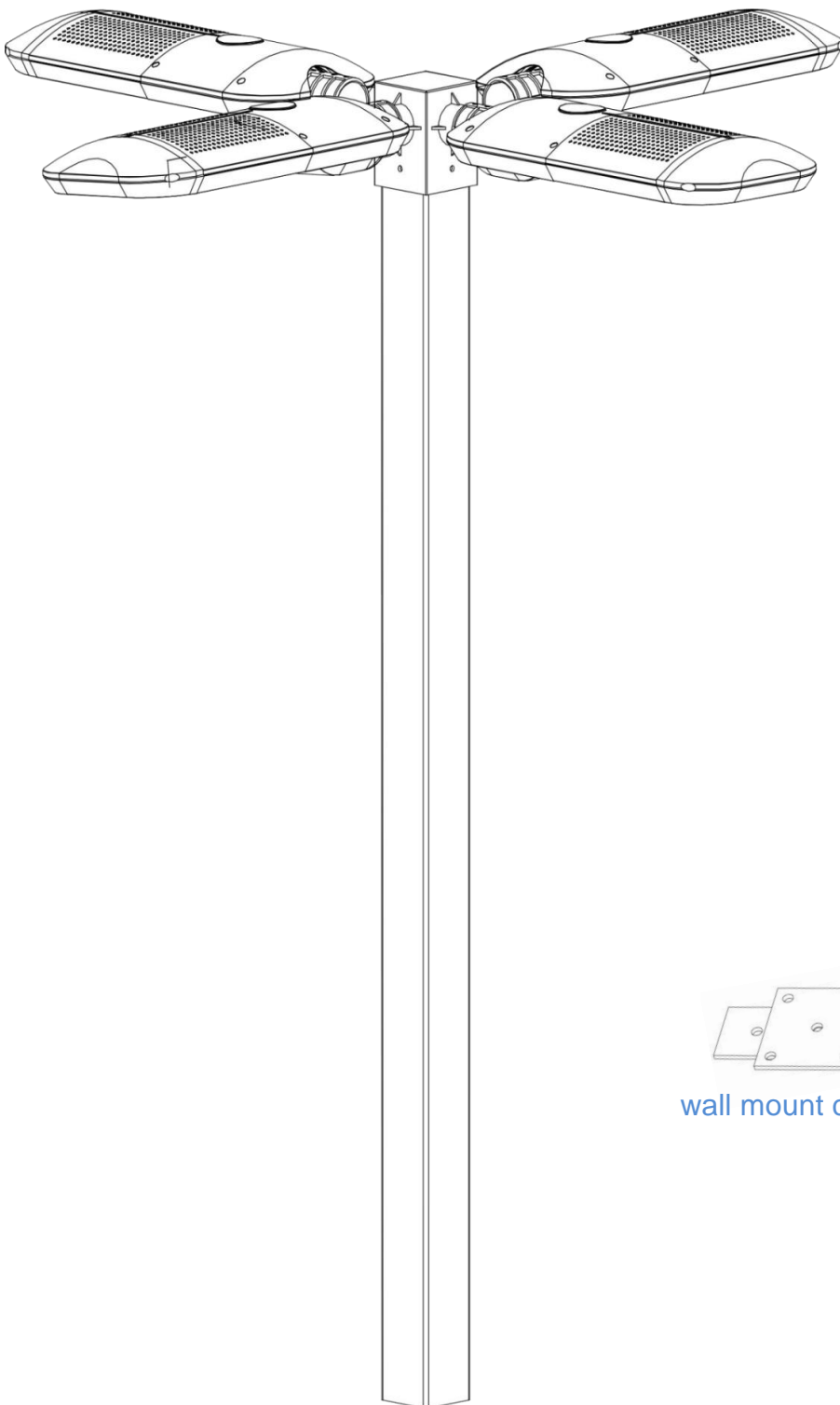
By the excellent heat radiation ability, **the temperature rising of iL street light is only <math><26\text{ }^\circ\text{C}</math>**. And the lamp can work in the environment from



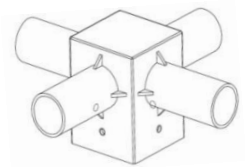
Diversified Installation Methods

iL street light suitable for all the installation methods. Its standard bracket angle can be adjusted from 0-90 degrees. And it can also be installed on the square shape pole by simply adding an extra converter.

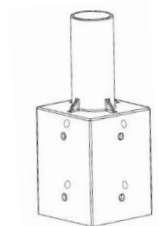
The standard bracket of iL street light is based on 60mm round port. There are many different bracket converter prepared for iL street light, such as round to square, 60-48mm, 60-80mm, etc.



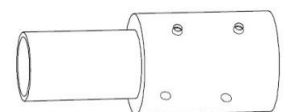
2 in 1 converter



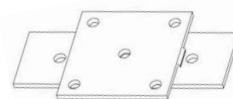
4 in 1 converter



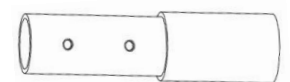
Round to square converter



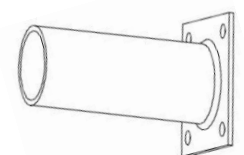
80-60mm converter



wall mount converter



60-40mm converter

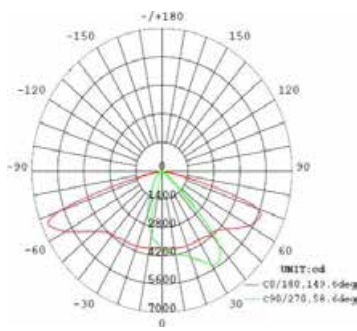


60mm to wall mount converter

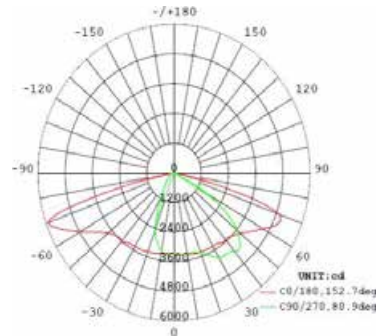
Multiple Light Distribution Options

Street light & parking light should be able to be used a widely range of applications. Such as highway, express way, road, avenue, walking path or parking lot. Thus, We provides different lens for the iL Series street light to achieve different light distributions.

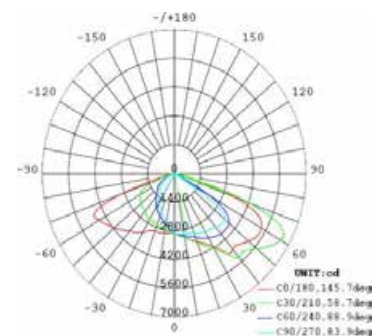
follows the North American IESNA standard in providing the optional lens with Type II and Type III. The Type II lens is suitable for the highway with 2 lanes, Type III A is for 3 lanes and Type III B is for even wider road. selects the most suitable lens for its customer according to the detailed parameters project by project.



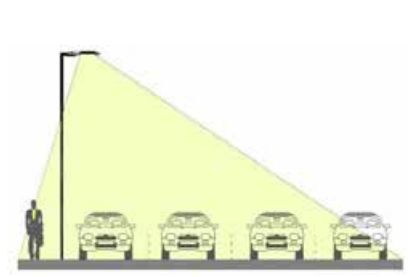
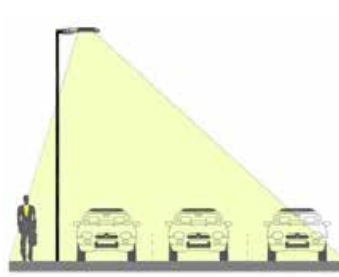
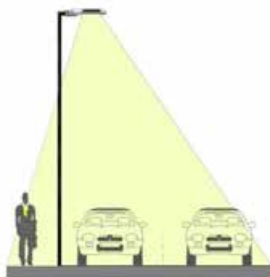
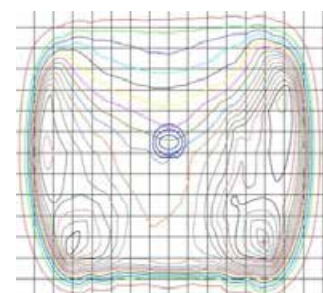
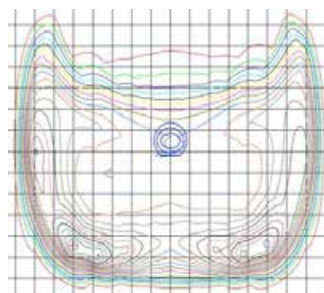
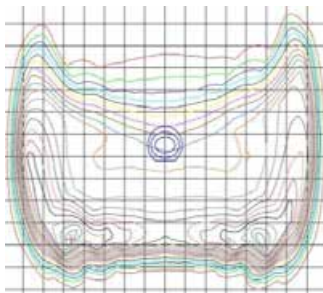
Type II: 60*150



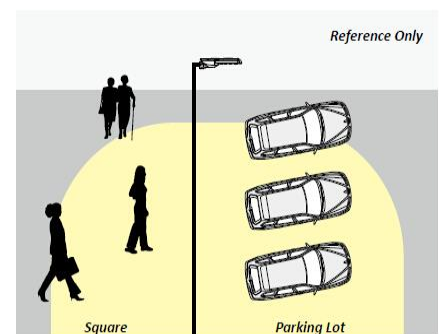
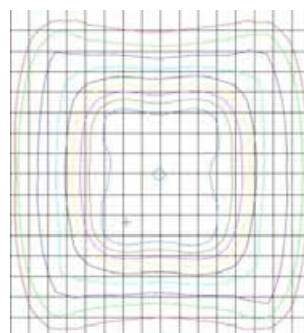
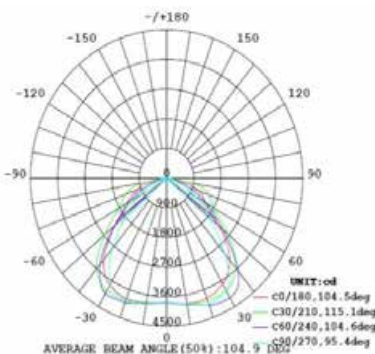
Type III A: 70*150



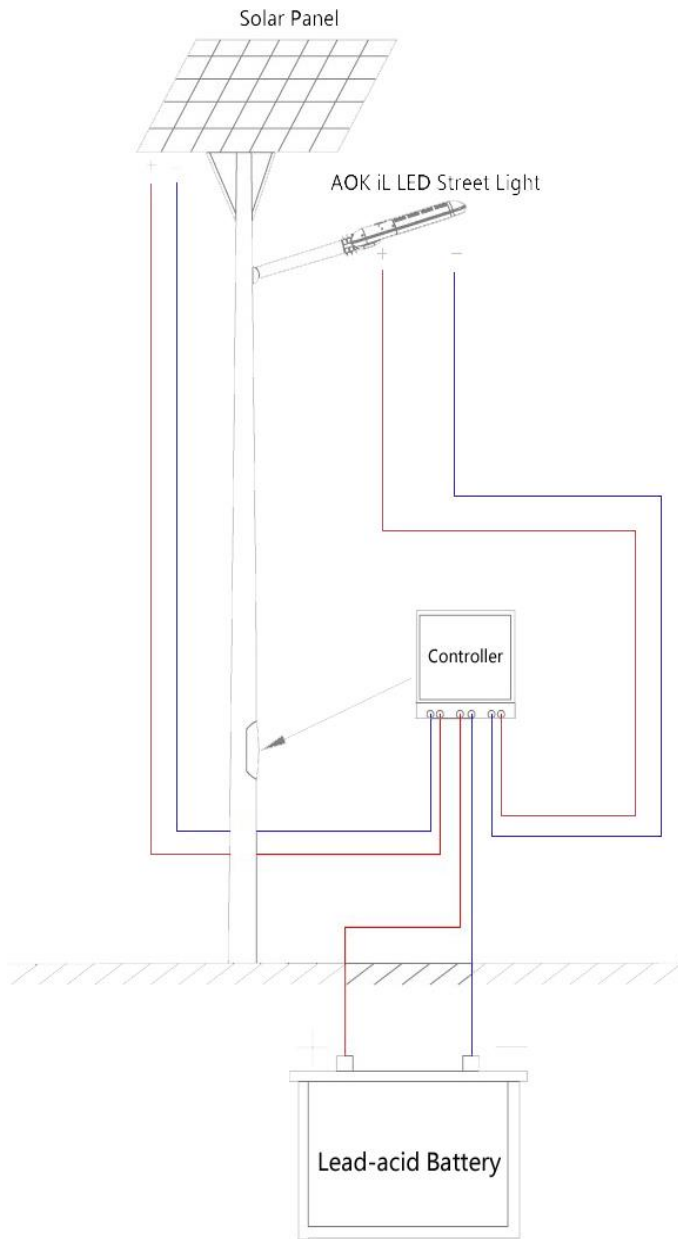
Type III B: 80*150 degrees



90*100 degrees lens for parking Lot



Solar Street Light System



40WiL DC version



80WiL DC version



120WiL DC version

We provides a comprehensive solution of LED solar street lighting system. The 40W, 80W and 120W models of iL series street light is suitable for this application.

A standard solar lighting system provided includes a DC version street light (40W, 80W or 120W), a solar panel, controller and the lead-acid battery. The 40W is based on 12VDC and 24VDC, the 80W and 120W models are based on 24VDC.

40WiL (30W-40W-50W)



New



- Optical control function optional
- Dimming functions optional
- +Three in One (1-10V DC / PWM / Resistance)
- +Timer - Contact for Details

Specifications

Electrical Specifications

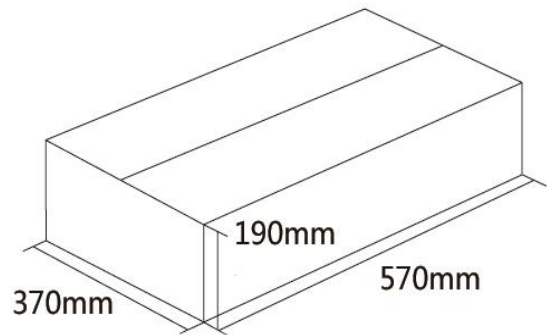
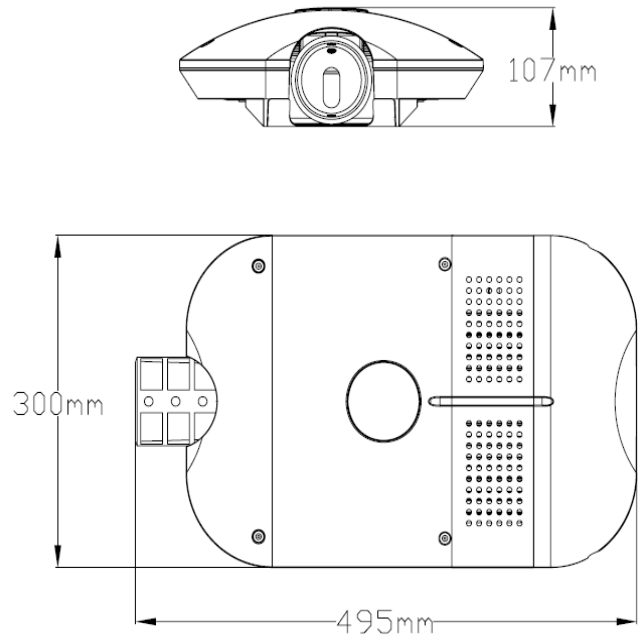
Model No.	40WiL
Nominal Wattage	30W, 40W, 50W
Nominal Voltage	90-305VAC, 50/60Hz 12/24VDC
Maximum Current	AC 0.45A (max) DC 3.34A (max)
Power Factor (PF)	>0.95
Driver Efficiency	>90%

Photometric Specifications

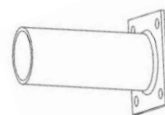
Luminous Flux	+Lumen tolerance +/- 5% 4,000-4,400lm
CRI	Ra>78
CCT	3000K/4000K/5000K/5700K/6500K
Optional Beam Angle	Type II, Type III-A, Type III-B, 90°/100°, 30°, 60°, 120°

Mechanical Specifications

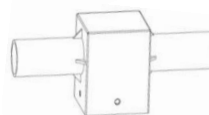
IP&IK Rating	IP67 & IK10
Lifetime	62000 hours - L70, @25°C
Heat Radiator	Anodized Aluminum
Lens	PC
Fixture Dimension	495*300*107mm 19.5*11.8*4.2 inches
Net Weight	5.5kg
Carton Dimension	570*370*190mm
Gross Weight	6.7kg



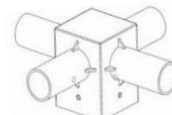
Optional converters for different applications



60mm to wall mount converter



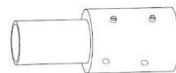
2 in 1 converter



4 in 1 converter



Round to square converter



80-60mm converter



wall mount converter



60-40mm converter

80WiL (60W, 70W, 80W, 90W, 100W)



New



- Optical control function optional
- Dimming functions optional
- +Three in One (1-10V DC / PWM / Resistance)
- +Timer - Contact for Details

Specifications

Electrical Specifications

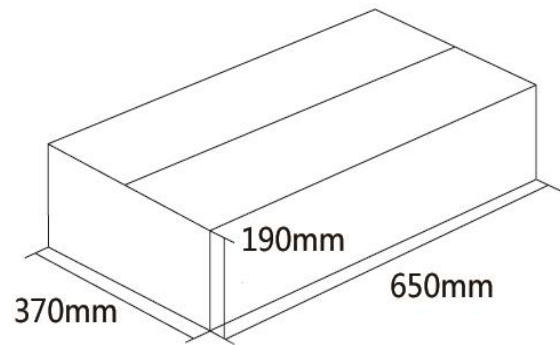
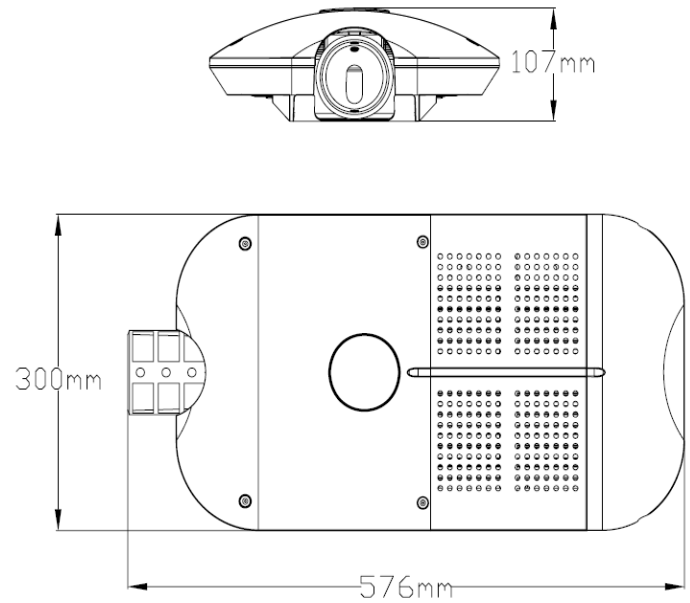
Model No.	80WiL
Nominal Wattage	80W(Adjustable from 60W to 100W)
Nominal Voltage	90-305VAC, 50/60Hz
	24VDC
Maximum Current	AC 0.9A (max)
	DC 0.3A (max)
Power Factor (PF)	>0.95
Driver Efficiency	>92%

Photometric Specifications

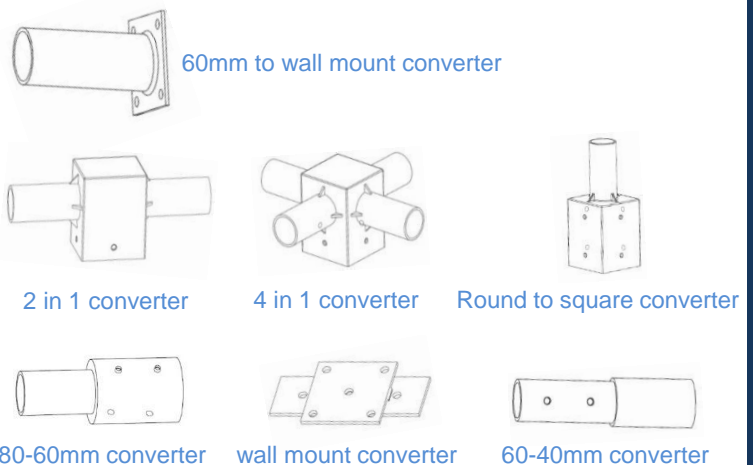
Luminous Flux	+Lumen tolerance +/- 5%
	8,000-8,800lm
CRI	Ra>78
CCT	3000K/4000K/5000K/5700K/6500K
Optional Beam Angle	Type II, Type III-A, Type III-B, 90°/100°, 30°, 60°, 120°

Mechanical Specifications

IP&IK Rating	IP67 & IK10
Lifetime	62000 hours - L70, @25°C
Heat Radiator	Anodized Aluminum
Lens	PC
Fixture Dimension	576*300*107mm
	22.7*11.8*4.2 inches
Net Weight	7.5kg
Carton Dimension	650*370*190mm
Gross Weight	8.3kg



Optional converters for different applications



120WiL (110W, 120W, 130W, 140W, 150W)



Optical control function optional
 Dimming functions optional
 +Three in One (1-10V DC / PWM / Resistance)
 +Timer - Contact for Details

Specifications

Electrical Specifications

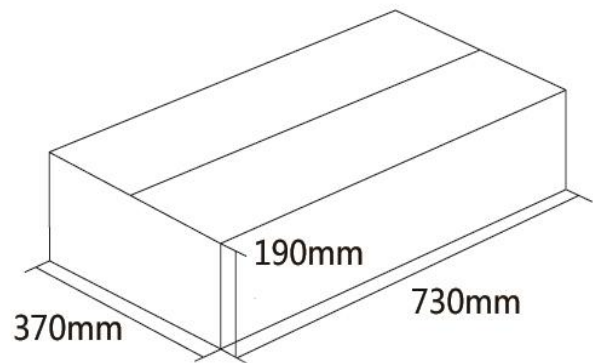
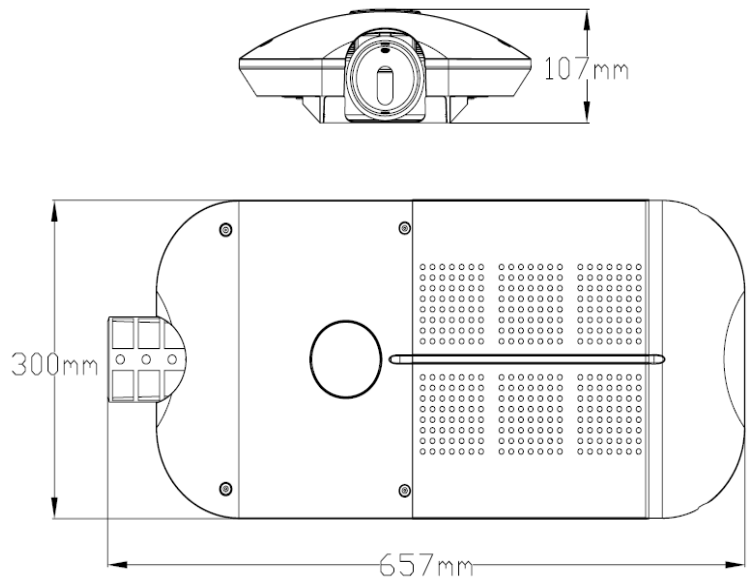
Model No.	120WiL
Nominal Wattage	120W(Adjustable from 110W to 150W)
Nominal Voltage	90-305VAC, 50/60Hz 24VDC
Maximum Current	AC 1.35A (max) DC 5A (max)
Power Factor (PF)	>0.95
Driver Efficiency	>92%

Photometric Specifications

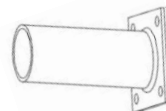
Luminous Flux	+Lumen tolerance +/- 5% 12,000-13,200lm
CRI	Ra>78
CCT	3000K/4000K/5000K/5700K/6500K
Optional Beam Angle	Type II, Type III-A, Type III-B, 90°/100°, 30°, 60°, 120°

Mechanical Specifications

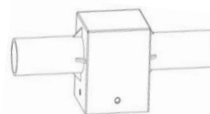
IP&IK Rating	IP67 & IK10
Lifetime	62000 hours - L70, @25°C
Heat Radiator	Anodized Aluminum
Lens	PC
Fixture Dimension	657*300*107mm 25.9*11.8*4.2 inches
Net Weight	8.4kg
Carton Dimension	730*370*190mm
Gross Weight	9.5kg



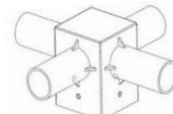
Optional converters for different applications



60mm to wall mount converter



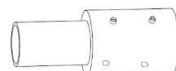
2 in 1 converter



4 in 1 converter



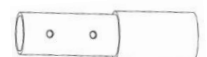
Round to square converter



80-60mm converter



wall mount converter



60-40mm converter

160WiL (160W, 170W, 180W, 190W, 200W)



- Optical control function optional
- Dimming functions optional
- +Three in One (1-10V DC / PWM / Resistance)
- +Timer - Contact for Details

Specifications

Electrical Specifications

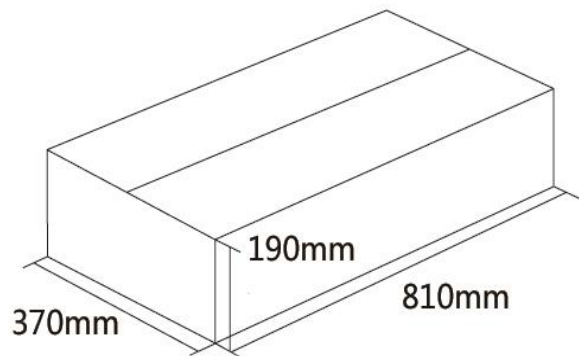
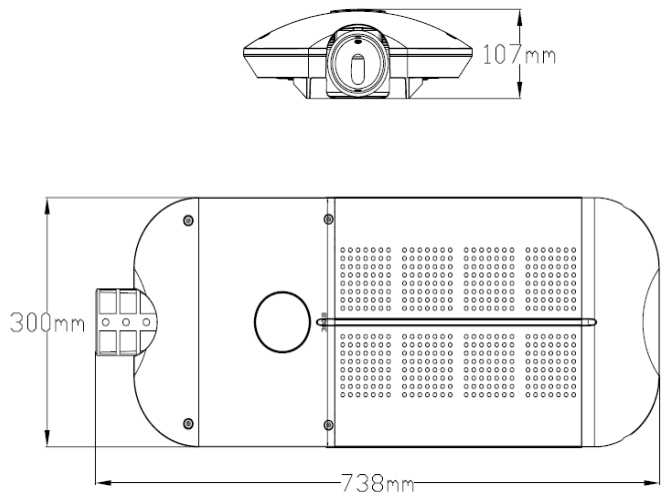
Model No.	160WiL
Nominal Wattage	160W (Adjustable from 160W to 200W)
Nominal Voltage	90-305VAC, 50/60Hz
Maximum Current	AC 1.80A (max)
Power Factor (PF)	>0.95
Driver Efficiency	>92%

Photometric Specifications

Luminous Flux	+Lumen tolerance +/- 5% 16,000-17,600lm
CRI	Ra>78
CCT	3000K/4000K/5000K/5700K/6500K
Optional Beam Angle	Type II, Type III-A, Type III-B, 90°/100°, 30°, 60°, 120°

Mechanical Specifications

IP&IK Rating	IP67 & IK10
Lifetime	62000 hours - L70, @25°C
Heat Radiator	Anodized Aluminum
Lens	PC
Fixture Dimension	738*300*107mm 29.1*11.8*4.2 inches
Net Weight	9.7kg
Carton Dimension	810*370*190mm
Gross Weight	10.6kg



Optional converters for different applications

